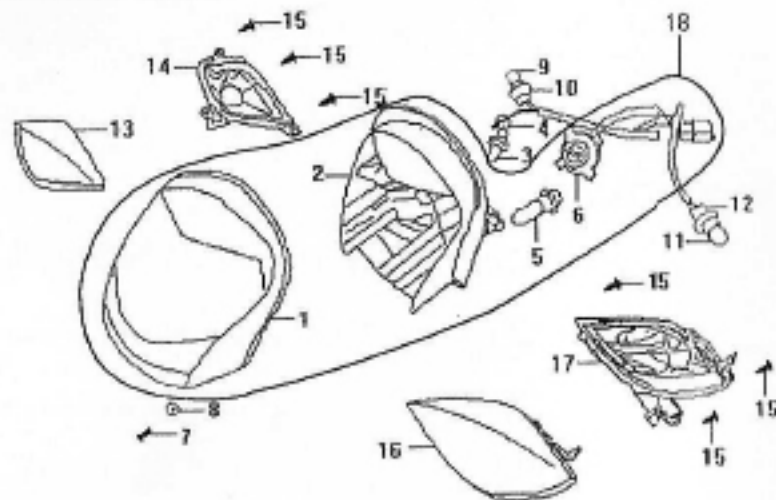
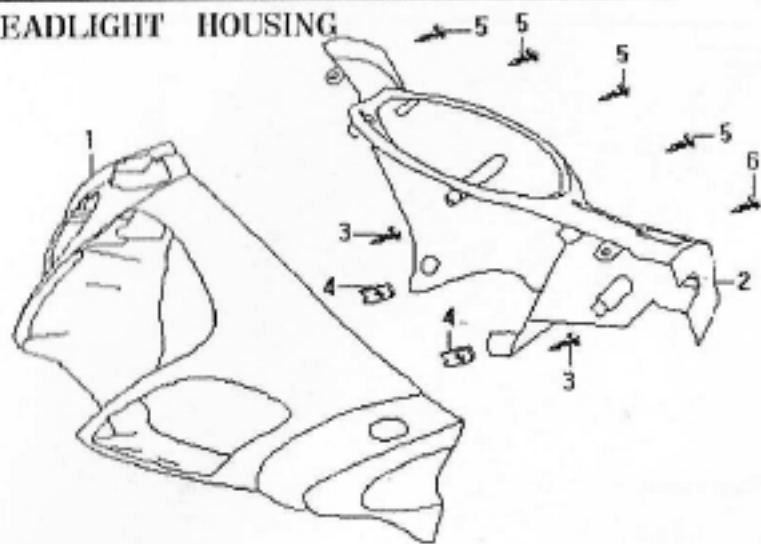


F-1. 前照灯总成 HEADLIGHT ASSY



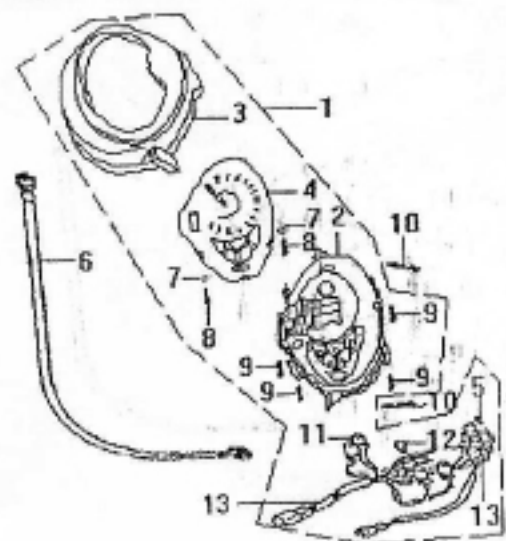
序号 S/N	零部件代号 Part No.	零部件名称	Description	数量 Quantity	备注 Remark
1	M13E140-01	散光罩(前大灯)	Lens (headlight)	1	
2	M13E145	反光碗(前大灯)	Reflector (headlight)	1	
3	GB/T15766.3	位置灯泡 12V-3.4W	Bulb 12V-3.4W, parking light	1	
4	M13E140-03	位置灯座	Socket, parking light	1	
5	GB15766.1	前照灯灯泡 12V-35W/35W	Bulb 12V-35W/35W, headlight	1	
6	M13E140-04	前照灯灯座	Socket, headlight	1	
7	GB/T16674	螺栓M5 × 16	Bolt M5 × 16	1	
8	GB/T862.1	垫圈 5	Washer 5	1	
9	M13E180	前右转向灯灯泡	Front winker bulb, RH	1	
10	M13E186	前右转向灯灯座	Front winker socket, RH	1	
11	M13E170	前左转向灯灯泡	Front winker bulb, LH	1	
12	M13E176	前左转向灯灯座	Front winker socket LH	1	
13	M13E180-01	前右转向灯罩	Front winker lens, RH	1	
14	M13E181	前右转向灯壳	Front winker case, RH	1	
15	GB/T845	螺钉 ST4.2 × 13	Screw S <sup>c</sup> 4.2 × 13	6	
16	M13E170-01	前左转向灯罩	front winker lens, LH	1	
17	M13E171	前左转向灯壳	Front winker case, LH	1	
18	M13E140	前大灯总成	Headlight Assy	1	

F-2 大灯壳 HEADLIGHT HOUSING



序号 S/N	零部件代号 Part No.	零部件名称	Description	数量 Quantity	备注 Remark
1	M13C055	大灯壳	Headlight housing	1	
2	M13C045	仪表壳	Hood, meter	1	
3	QB/T845	螺钉 ST4.2 × 16	Self-tapping screw ST4.2 × 16	2	
4	QC/T330	簧片螺母 ST4.2	Reed nut ST4.2	2	
5	GB/T845	螺钉 ST4.2 × 25	Self-tapping screw ST4.2 × 25	4	
6	GB9074.1	螺钉 M5 × 16	Screw M5 × 16	1	

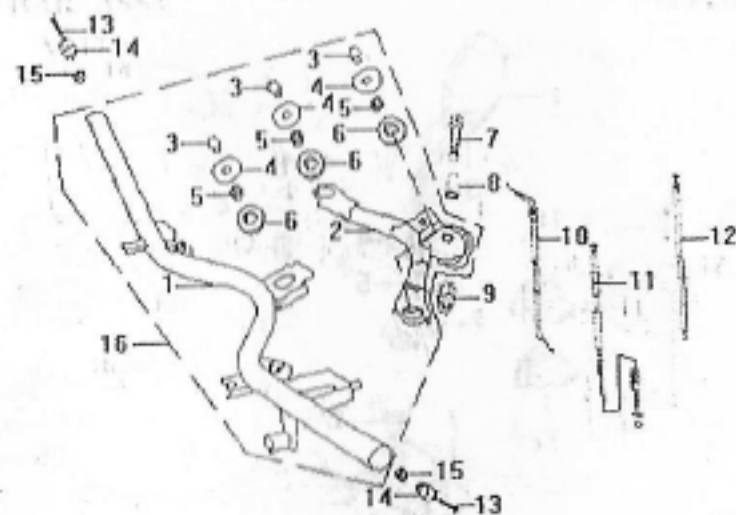
I-3 仪表总成 METER ASSY



序号 S/N	零件代号 Part No.	零件名称	Description	数量 Quantity	备注 Remark
1	M13E120	仪表总成	Meter Assy	1	
2	M13E120-01	仪表下罩	Case, meter	1	
3	M13E120-02	仪表上罩	Lens, meter	1	
4	M13E120-03	仪表板	Dashboard	1	
5	GB/T15766.3	远光指示灯泡12V-3.4W	Bulb 12V-3.4W	1	
6	M13F040	里程线	Cable, odometer	1	
7	GB/T93	弹簧垫圈4	Spring washer 4	2	
8	GB9074.1	螺钉M4 × 10	Screw M4 × 10	2	
9	GB/T845	螺钉 ST3.2 × 13	Self-tapping screw ST3.2 × 13	4	
10	GB/T845	螺钉 ST4.8 × 16	Self-tapping screw ST4.8 × 16	2	
11	GB/T15766.3	档量灯泡 12V-1.7W	Bulb 12V-1.7W	5	
12	GB/T15766.3	仪表照明灯泡 12V-1.7W	Bulb 12V-1.7W	2	
13	M13E12B	仪表电缆	Cable, meter	1	

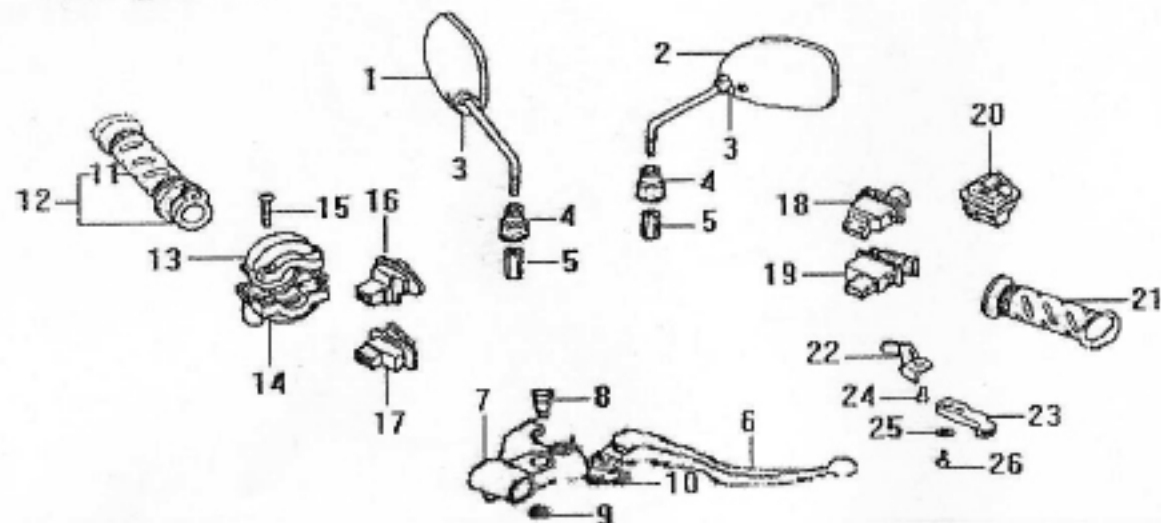
## F-4 手把管总成

## HANDLE BAR ASSY



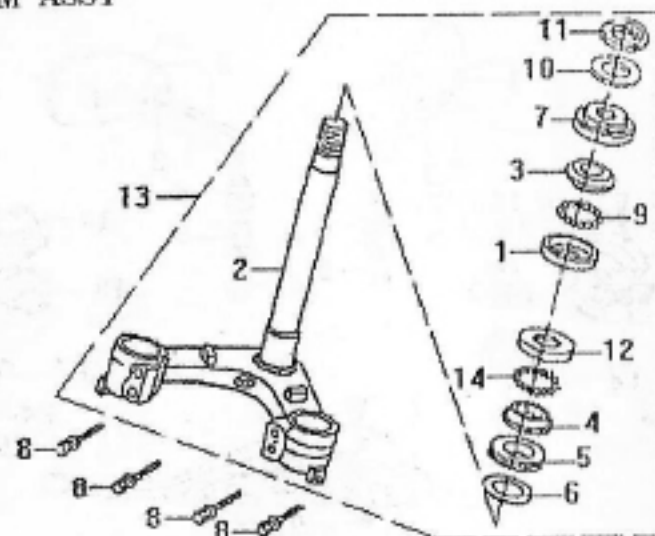
序号 S/N	零部件代号 Part No.	零部件名称	Description	数量 Quantity	备注 Remark
1	M13A050-01	手把管组件	Handle bar unit	1	
2	M13A050-02	手把管连接座组件	Handle bar holder unit	1	
3	GB/T16674	螺栓M8 × 25	Bolt M8 × 25	3	
4	GB/T96	垫圈10 × 28-3	Washer 10 × 28-3	3	
5	M13A050-03	手把管连接座衬套	Bush, handle bar holder	3	
6	M13A050-04	手把管连接座胶套	Rubber ring, handle bar holder	3	
7	GB/T16674	螺栓M10 × 1.25 × 50	Bolt M12 × 1.25 × 50	1	
8	M13A050-05	手把管连接卡	Clamp, handle bar	1	
9	GB/T6187.2	螺母M10 × 1.25	Nut M12 × 1.25	1	
10	N12F020	油门拉索	Throttle cable	1	
11	M13F000	前制动拉索	Front brake cable	1	
12	M13F030	风门拉索	Choke cable	1	
13	GB/T818	螺钉M6 × 70	Screw M6 × 70	2	
14	M13A050-06	方向把平衡块	Balance weight, steering bar	2	
15	M13A050-07	平衡块橡胶塞	Rubber plug, balance weight	2	
16	M13A050	手把管总成	Handle bar Assy	1	

F-5 握把 开关 GRIP & SWITCH



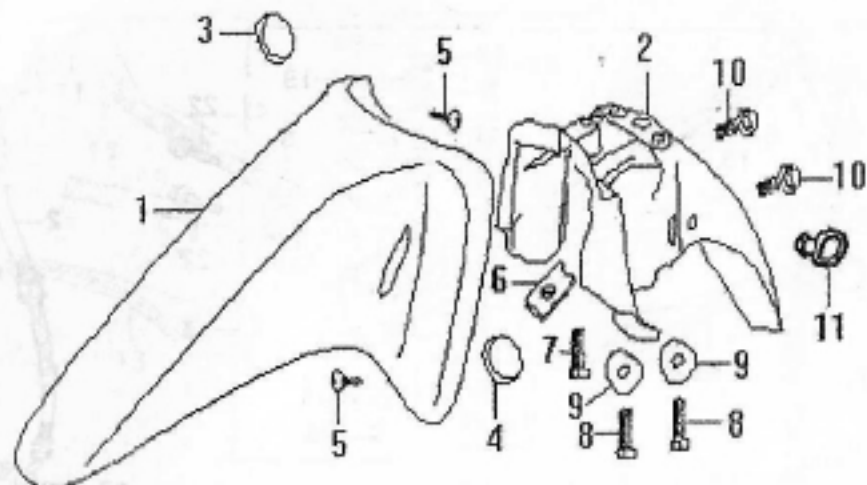
序号 S/N	零部件代号 Part No.	零部件名称	Description	数量 Quantity	备注 Remark
1	M13C040	右后视镜总成	Rear-view mirror, RH comp	1	
2	M13C035	左后视镜总成	Rear-view mirror, LH comp	1	
3	M13C035-01	后视镜护套II	Boot II, rear-view mirror	1	
4	M13C035-02	后视镜护套	Boot, rear-view mirror	1	
5	M13C035-03	后视镜锁紧螺母	Lock nut, rear-view mirror	1	
6	M13E110	前制动手柄	Front brake lever	1	
7	M13E110-01	前制动手柄固定座	Holder, front brake lever	1	
8	M13E110-02	前制动手柄销轴	Pivot bolt, front brake lever	1	
9	GB/T6170	螺母M6	Nut M6	1	
10	GB/T16674	螺栓M6 × 25	Bolt M6 × 25	1	
11	M13G002	右手把胶套	Grip rubber, RH	1	
12	M13E082	油门转把	Throttle grip	1	
13	M13E070-01	加油器下罩	Bottom cover, accelerator	1	
14	M13E070-02	加油器上罩	Top cover, accelerator	1	
15	GB/T818	螺钉 M5 × 25	Bolt M5 × 25	2	
16	M13E070-03	照明开关组件	Lighting switch	1	

F-6 方向柱组合 STEERING STEM ASSY



序号 S/N	零部件代号 Part No.	零部件名称	Description	数量 Quantity	备注 Remark
1	M13B050-01	上轴承下盖	Ball race, top bearing	1	
2	M13B050-02	方向柱组件	Steering stem	1	
3	M13B050-03	上轴承上盖	Race cover, top bearing	1	
4	M13B050-04	下轴承下盖	Ball race, bottom bearing	1	
5	M13B050-05	方向柱防尘圈	Dust ring, steering stem	1	
6	M13B050-06	方向柱下垫圈	Lower washer, steering stem	1	
7	M13B050-07	方向柱调整螺母	Adjusting nut, steering stem	1	
8	GB/T16674	螺栓M10 × 1.25 × 45	Bolt M10 × 1.25 × 45	4	
9	M13B050-08	上轴承钢球	Ball, top bearing	16	
10	M13B050-09	方向柱调整垫圈	Adjusting washer, steering stem	1	
11	M13B050-10	方向柱锁紧螺母	Lock nut, steering stem	1	
12	M13B050-11	下轴承上盖	Race cover, bottom bearing	1	
13	M13B050	方向柱总成	Steering stem comp	1	
14	M13B050-12	下轴承钢球	Ball, bottom bearing	16	

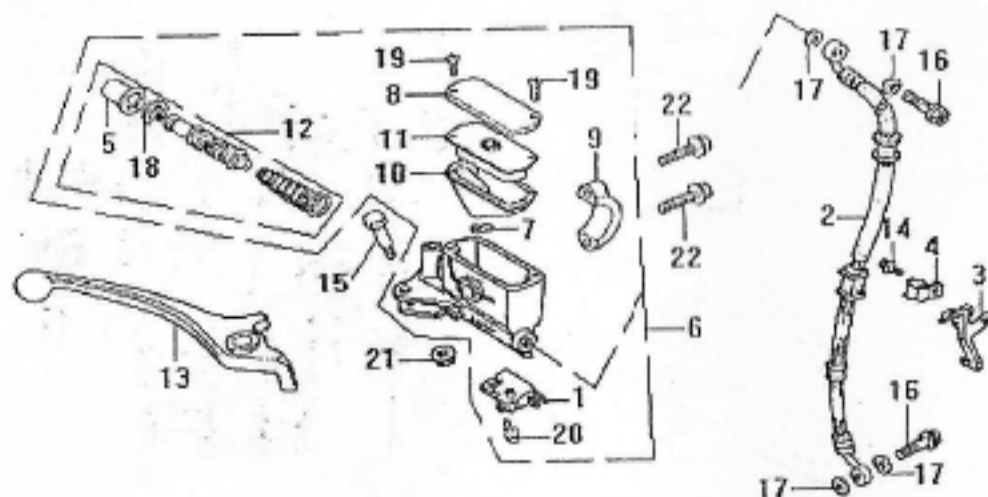
F-7 前挡泥板 FRONT FENDER



序号 S/N	零部件代号 Part No.	零部件名称	Description	数量 Quantity	备注 Remark
1	M13C011	前挡泥板前段	Front body, front fender	1	
2	M13C012	前挡泥板后段	Rear body, front fender	1	
3	M13C365	前右反射器	Front reflector, RH	1	
4	M13C360	前左反射器	Front reflector, LH	1	
5	GB/T845	自攻螺钉ST4 × 10	Self-tapping screw ST4 × 10	2	
6	QC/T330	簧片螺母ST6	Reed nut ST6	1	
7	GB/T5783	螺栓M6 × 25	Bolt M6 × 25	1	
8	GB/T5783	螺栓M6 × 16	Bolt M6 × 16	2	
9	GB/T96	垫圈6	Washer 6	3	
10	GB/T16674	螺栓M6 × 16	Bolt M6 × 16	2	
11	M13G000	护线环	Wire grommet	1	

## F-8 前制动主泵

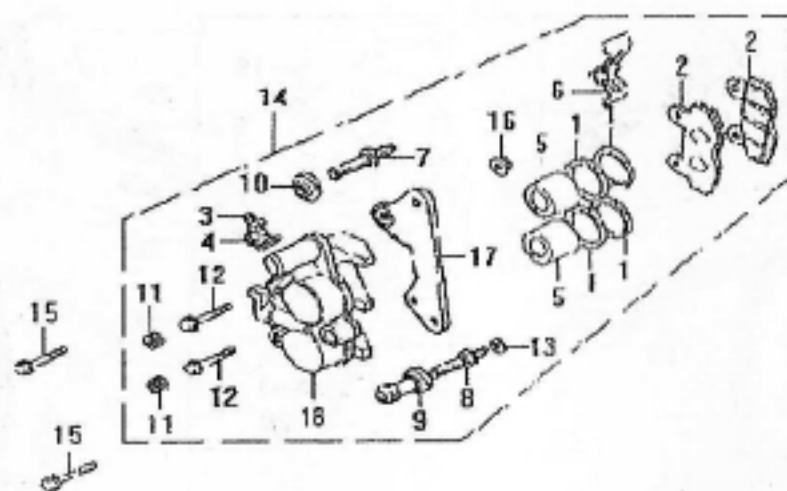
## FRONT BRAKE MAIN CYLINDER



序号 S/N	零部件代号 Part No.	零部件名称	Description	数量 Quantity	备注 Remark
1	M13E111	前制动开关	Switch, front brake	1	
2	M13D135	前碟刹油管	Oil pipe, front disc brake	1	
3	M13D135-01	前碟刹管固定支架	Disc	1	
4	M13D135-02	前碟刹油管夹	Pipe clamp, front disc brake	1	
5	M13D135-03	胶罩	Boot	1	
6	M13D132	前碟刹泵总成	Front disc brake, pump comp	1	
7	M13D132-01	保护片	Protector	1	
8	M13D132-02	主泵盖	Cover, main cylinder	1	
9	M13D132-03	主泵连接卡	Holder, main cylinder	1	
10	M13D132-04	油盘隔膜	Diaphragm	1	
11	M13D132-05	密封垫	Gasket	1	
12	M13D132-06	前制动主柱塞组件	Main plunger	1	
13	M13E110	前制动手柄	Front brake lever	1	
14	GB/T16674	螺栓 M6 × 10	Bolt M6 × 10	1	
15	M13E110-03	前制动手柄销轴螺栓	Pivot bolt, front brake lever	1	

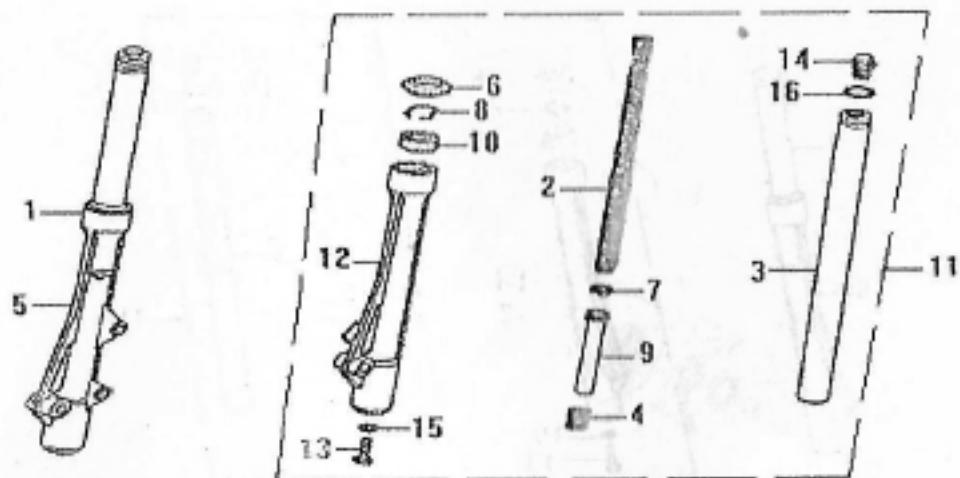


F-9. 前制动分泵 FRONT BRAKE SUB-PUMP



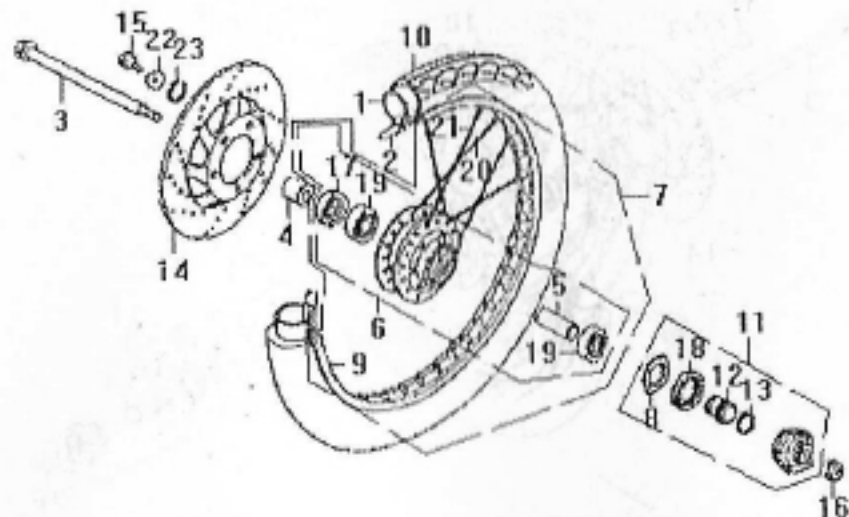
序号 S/N	零部件代号 Part No.	零部件名称	Description	数量 Quantity	备注 Remark
1	M13D136-01	活塞密封圈	Seal ring, piston	2	
2	M13D136-02	前碟刹片	Pad, front disc brake	1	
3	M13D136-03	排气螺钉	Screw, Bleeder	1	
4	M13D136-04	排气螺钉帽	Cap	1	
5	M13D136-05	分泵活塞	Piston, Sub-cylinder	2	
6	M13D136-06	油缸托座	Carrier, Sub-cylinder	1	
7	M13D136-07	销柱螺栓	Bolt	1	
8	M13D136-08	销柱螺栓(II)	Bolt (II)	1	
9	M13D136-09	销柱螺栓套	Sleeve	1	
10	M13D136-10	管套B	Tube B	1	
11	M13D136-11	销塞	Plug	2	
12	GB/T16674	螺栓M10 × 32	Bolt M10 × 32	2	
13	GB/T93	垫圈 10	Washer 10	1	
14	M13D136	前碟刹分泵	Sub-pump, front disc brake	1	
15	GB/T16674	螺栓 M8 × 25	Bolt M8 × 25	2	
16	GB/T6187.1	螺母 M8	Nut M8	1	
17	M13D136-12	前制动副油缸托板组件	Board, sub-cylinder	1	
18	M13D136-13	分泵体	Sub-cylinder body	1	

F-10 前减震器(碟刹) FRONT SHOCK ABSORBER (DISC BRAKE)



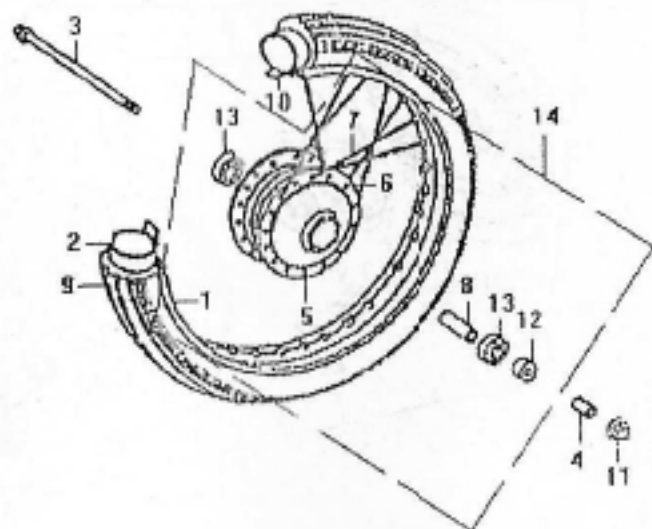
序号 S/N	零部件代号 Part No.	零部件名称	Description	数量 Quantity	备注 Remark
1	M002B020	前右减震器	Front shock absorber,RH	1	
2	M002B012	前减震器弹簧	Spring,front shock absorber	2	
3	M002B010-01	前叉管	Front fork pipe	2	
4	M002B010-02	缓冲弹簧	Damping spring	2	
5	M002B020-01	前右减震器底筒组件	Cylinder,front shock absorbr,RH	1	
6	M002B010-03	前减震器防尘盖	Dust cover	2	
7	M002B010-04	减震活塞环	Damping piston ring	2	
8	M002B010-05	油封卡环	Circlip	2	
9	M002B010-06	活塞管	Piston pipe	2	
10	M002B010-07	前减震器油封	Oil seal	2	
11	M002B010	前左减震器	Front shock absorber,LH	1	
12	M002B010-08	前左减震器底筒组件	Cylinder,front shock absorber,LH	1	
13	GB/T5783	螺栓M8 × 30	Bolt M8 × 30	2	
14	M002B010-09	端盖螺栓	Bolt,End-cover	2	
15	GB/T97.1	垫圈 8	Washer 8	2	
16	M002B010-10	端盖 O 形圈	O-Ring	2	

F-12 前轮总成(碟刹) I& II FRONT WHEEL ASSY I & II(DISC BRAKE)



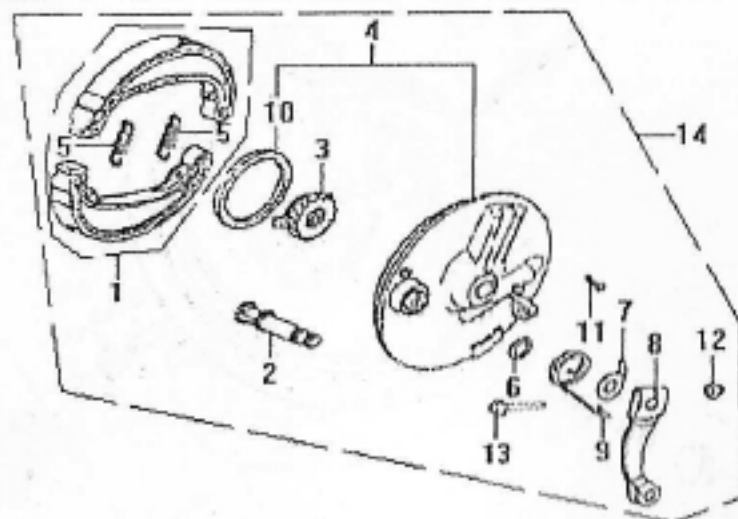
序号 S/N	零部件代号 Part No.	零部件名称	Description	数量 Quantity	备注 Remark
1	M13D040	前内胎	Front tube	1	
2	M13L00D080	前轮垫带	Flap, front wheel	1	
3	M13H010	前轮轴	Axle, front wheel	1	
4	M13J030	前轮右衬套	Right bush, front wheel	1	
5	M13D004	前轮内衬套	Sleeve, front wheel	1	
6	M13D003	前轮毂(碟刹)	Front wheel hub(disc brake)	1	
7	M13D007-01	前轮钢组件(钢轮)	Front wheel rim Assy(spoke wheel)	1	
8	M13D000-01	速度计驱动片	Drive disc, speedometer	1	
9	M13D007	前轮钢	Rim, front wheel	1	
10	M13D050	前外胎	Front tire,	1	
11	M13D000-02	速度计齿轮盒	Box, speedometer gear	1	
12	M13D000-03	里程表齿轮	Odometer gear	1	
13	M13D000-04	调整垫圈	Washer	1	
14	M13D131	前碟刹盘	Disc plate, front disc brake	1	
15	GB/T16674	螺栓M6 × 20	Bolt M6 × 16	5	

F-13 前轮总成(鼓刹) FRONT WHEEL ASSY (DRUM BRAKE)



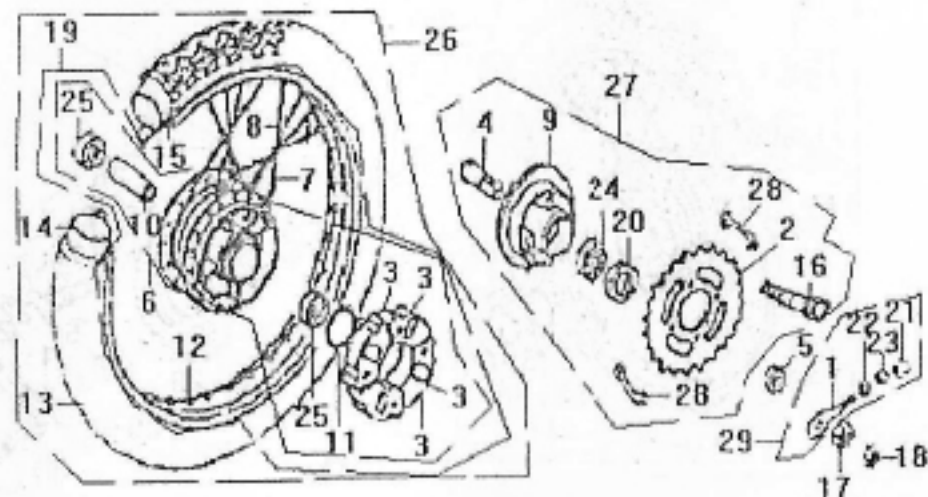
序号 S/N	零部件代号 Part No.	零部件名称	Description	数量 Quantity	备注 Remark
1	M131D007	前轮钢(小轮毂 $\phi$ 12孔)	Rim, front wheel	1	
2	M131D040	前内胎	Front tube	1	
3	M131H010	前轮轴M12 $\times$ 1.25 $\times$ 190	Front axle M12 $\times$ 1.25 $\times$ 1905	1	
4	M131J030	前轮右衬套 $\phi$ 12 $\times$ $\phi$ 23 $\times$ 24.5	Right bush, front wheel	1	
5	M131D003	前轮毂(鼓刹)	Front wheel hub(drum brake)	1	
6	M131D002	前轮外辐条	Outer spoke, front wheel	18	
7	M131D001	前轮内辐条	Inner spoke, front wheel	18	
8	M131D004	前轮内衬套	Sleeve, front wheel	1	
9	M131D050	前外胎	Front tire	1	
10	M131L00D080	前轮垫带	Flap, front wheel	1	
11	GB/T6187.1	螺母 M12 $\times$ 1.25	Nut M12 $\times$ 1.25	1	
12	M131D000-05	前轮右防尘圈	Right dust ring	1	
13	GB/T276	轴承 160301	Bearing 160301	2	
14	M131D007-01	前轮钢组件(钢轮)	front wheel rim Assy(Spoke wheel)	1	

F-14 前制动器(鼓刹) FRONT BRAKE (DRUM BRAKE)



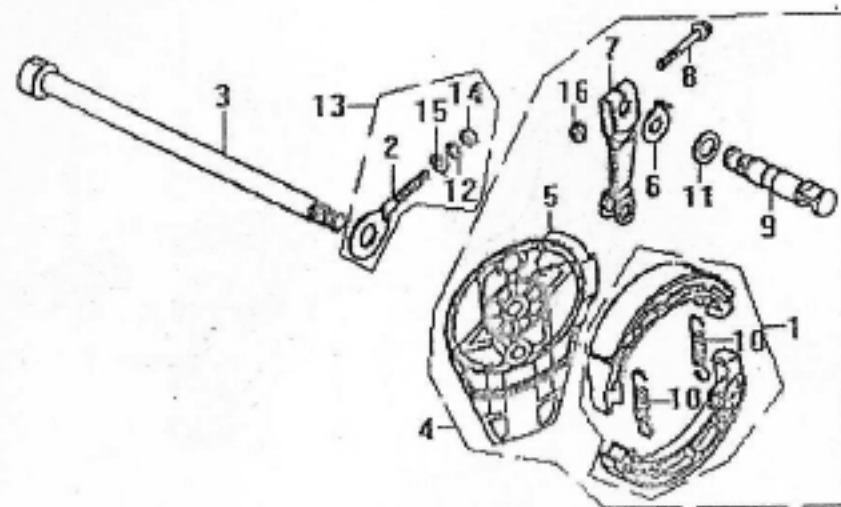
序号 S/N	零部件代号 Part No.	零部件名称	Description	数量 Quantity	备注 Remark
1	M13D101	前制动器蹄块	Front brake shoe	2	
2	M13D104	前制动凸轮轴	Camshaft, front brake	1	
3	M13D100-01	螺旋齿轮组合	Helical gear set	1	
4	M13D107	前制动器鼓盖	Drum cover, front brake	1	
5	M13D102	前制动器蹄块弹簧	Return spring, front brake shoe	2	
6	M13D104-01	前制动凸轮防尘圈	Dust ring, front brake cam	1	
7	M13D106	前制动指示片	Indicator, front brake	1	
8	M13D105	前制动摇臂	Swing arm, front brake	1	
9	M13D100-02	复位弹簧	Return spring	1	
10	GB/T9877.1	油封	Oil seal	1	
11	GB/T819	螺钉 M5 × 16	Screw M5 × 16	1	
12	GB/T6187.1	螺母 M6	Nut M6	1	
13	GB/T5782	螺栓 M6 × 25	Bolt M6 × 25	1	
14	M13D100	前制动器总成	Front brake comp	1	

F-15 后轮总成 REAR WHEEL ASSY



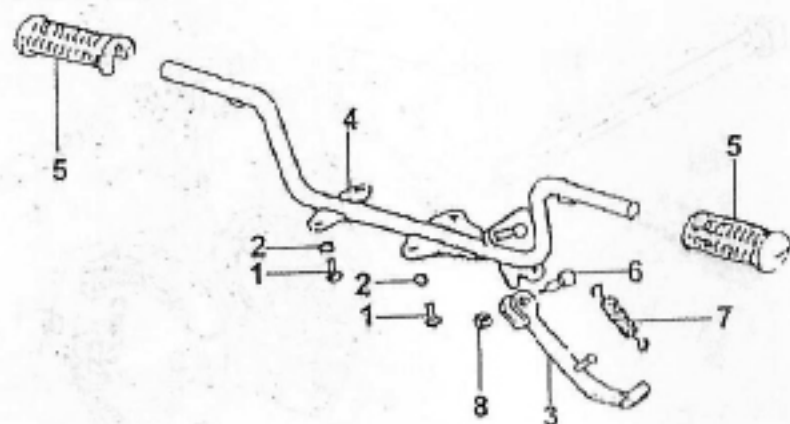
序号 S/N	零部件代号 Part No.	零部件名称	Description	数量 Quantity	备注 Remark
1	M13D170	链条调节器	Adjuster, chain	1	
2	M13D170-01	链轮	Sprocket	1	
3	M13D010-02	后轮缓冲块	Dampirg pad, rear wheel	4	
4	M13D013-01	链轮毂衬套	Sleeve, sprocket hub	1	
5	M13J040	后轮左衬套	Left bush, rear wheel	1	
6	M13D010-03	后轮毂(鼓刹)	Rear wheel hub(drum brake)	1	
7	M13D012	后轮外辐条	Outer Spoke, rear wheel	18	
8	M13D011	后轮内辐条	Inner Spoke, rear wheel	18	
9	M13D013-02	链轮毂	Sprocket hub	1	
10	M13D014	后轮内衬套	Inner sleeve, rear wheel	1	
11	GB/T9877.1	油封	Oil seal	1	
12	M13D017	后轮钢圈	Rear wheel rim	1	
13	M13D070	后外胎	Rear tire	1	
14	M13D060	后内胎	Rear tube	1	
15	M13D010-01	后轮垫带	Flap, rear wheel	1	
16	GB/T5783	螺栓M8 × 32	Bolt M8 × 32	4	

F-16 后制动器 BEAR BRAKE, MODE



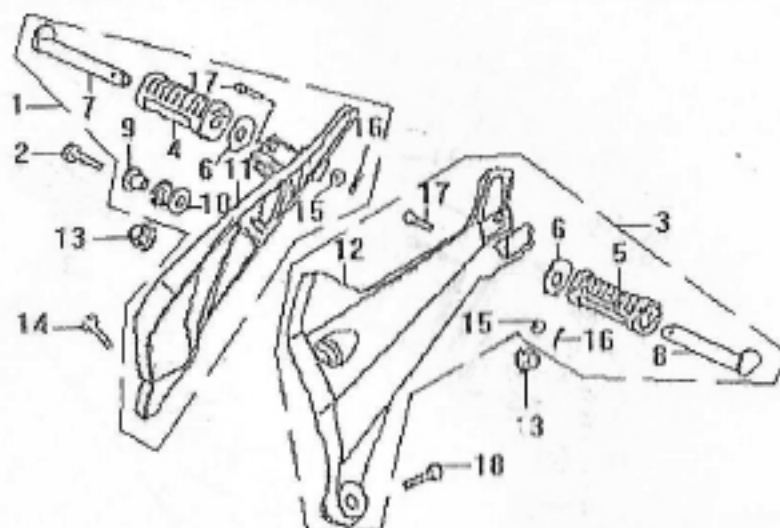
序号 S/N	零部件代号 Part No.	零部件名称	Description	数量 Quantity	备注 Remark
1	M13D111	后制动蹄块	Rear brake shoe	2	
2	M13D170	链条调节器	Adjuster, chain	1	
3	M13H020	后轮轴	Rear axle	1	
4	M13D110	后制动器	Rear brake	1	
5	M13D116	后制动器盖	Rear brake cover	1	
6	M13D115	后制动器指示片	Indicating pad, rear brake	1	
7	M13D114	后制动摇臂	Rear brake arm	1	
8	GB/T5783	螺栓M6 × 25	Bolt M6 × 25	2	
9	M13D113	后制动凸轮轴	Camshaft, rear brake	1	
10	M13D112	后制动蹄块弹簧	Return spring, rear brake shoe	1	
11	M13D113-01	后制动凸轮防尘圈	Dust ring, rear brake cam	1	
12	GB/T93	垫圈 6	Washer 6	1	
13	M13D172	链条右调节器	RH Adjuster, chain	1	
14	GB/T6170	螺母 M6	Nut M6	1	
15	GB/T93	垫圈 6	Washer 6	1	
16	GB/6187.1	螺母 M6	Nut M6		

F-17 前脚架组合 FOOTREST



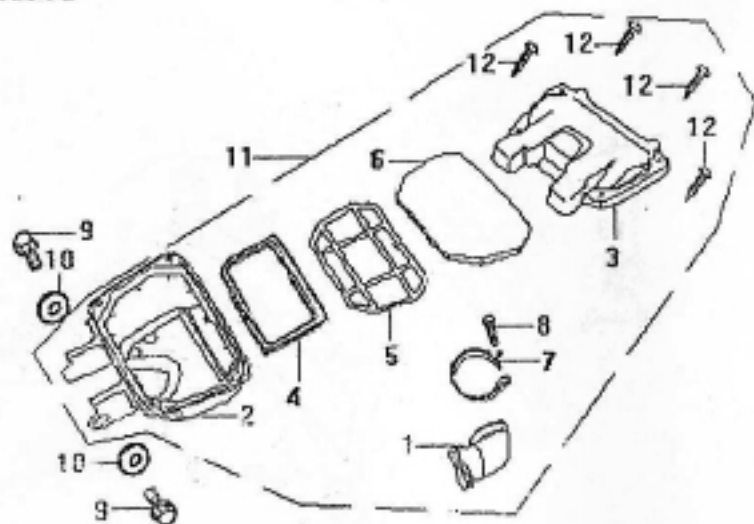
序号 S/N	零部件代号 Part No.	零部件名称	Description	数量 Quantity	备注 Remark
1	GB/T 5783-2000	螺栓M8 × 20	Bolt M8 × 20	4	
2	GB93-87	垫圈 8	washer 8	4	
3	M13A110	侧支架	Side stand	1	
4	M13A110-01	前脚架支架	Front footrest bracket	1	
5	M13A110-02	前脚架胶套	Rubber sleeve, front footrest	2	
6	M13A110-03	侧支架螺栓	Bolt, side stand	1	
7	M13K030	侧支架簧	Side stand spring	1	
8	GB/T 6170-2000	螺母 M10	Nut M10	1	



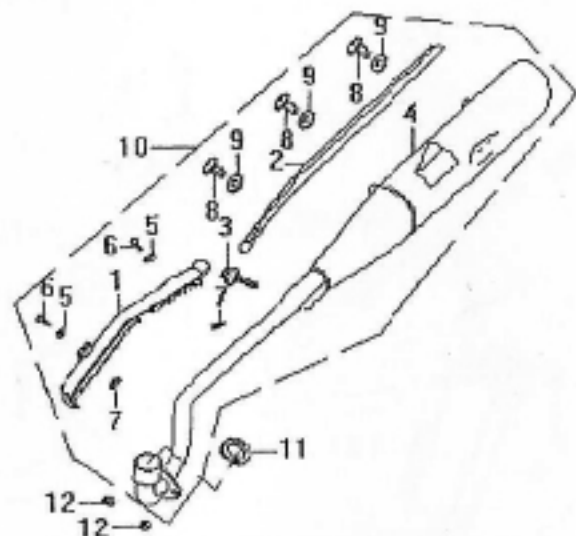


序号 S/N	零部件代号 Part No.	零部件名称	Description	数量 Quantity	备注 Remark
1	M13A150	右副脚踏板总成	RH passenger Footrest Assy	1	
2	GB/T16674	螺栓 M8 × 40	Bolt M8 × 40	2	
3	M13A140	左副脚踏板总成	LH passenger Footrest Assy	1	
4	M13A150-01	右副脚胶套	Rubber boot, RH, passenger footrest	1	
5	M13A140-01	左副脚胶套	Rubber boot, LH, passenger footrest	1	
6	M13A150-02	右副脚杆挡圈	Clip, RH, passenger footrest	2	
7	M13A150-03	右副脚杆	RH, footrest bar	1	
8	M13A140-02	左副脚杆	LH, passenger footrest bar	1	
9	M13A150-04	右副脚支架安装衬套	Fitting sleeve, RH, passenger footrest	1	
10	M13A150-05	左副脚支架安装胶套	Rubber boot, RH, passenger footrest	1	
11	M13A150-06	右副脚支架	Bracket, RH, passenger footrest	1	
12	M13A140-03	左副脚支架	Bracket, LH, passenger footrest	1	
13	GB/T6170	螺母 M10 × 1.25	Nut M10 × 1.25	2	
14	GB/T16774	螺栓 M8 × 25	Bolt M8 × 25	1	
15	GB/T97.1	垫圈 6	Washer 6	2	
16	GB/T91	开口销 1.6 × 15	Split pin 1.6 × 15	2	
17	M13A150-07	右副脚连接销	Pin, RH, passenger footrest	2	
18	GB/T16674	螺栓 M8 × 30	Bolt M8 × 30	1	

F-19 空滤器总成 AIR CLEANER ASSY

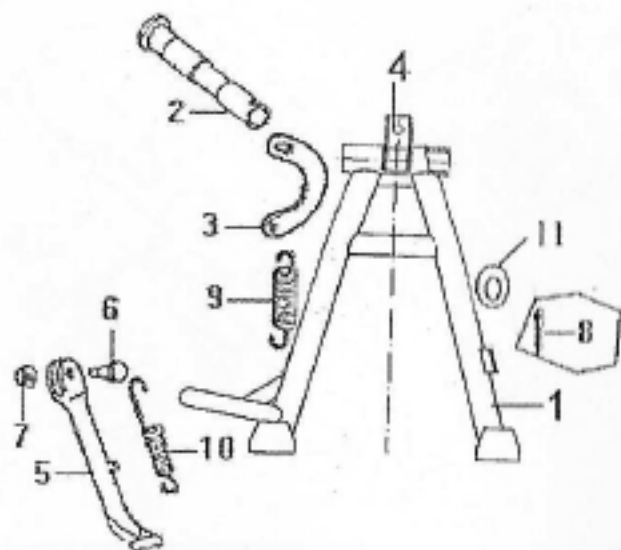


序号 S/N	零部件代号 Part No.	零部件名称	Description	数量 Quantity	备注 Remark
1	M13Q020-01	空滤器连接管	Connecting pipe,air cleaner	1	
2	M13Q022	空滤器壳	Housing,Air cleaner	1	
3	M13C470	空滤器盖	cover,air cleaner	4	
4	M13Q020-02	空滤器密封垫	Gasket,Air cleaner	1	
5	M13Q020-03	空滤器滤网	Gauze,air cleaner	1	
6	M13Q024	空滤器滤芯	Filter element,air cleaner	1	
7	M13Q021	空滤器卡箍	Clamp,air cleaner	1	
8	GB/T818	螺钉M5 × 30	Screw M5 × 30	1	
9	GB/T5783	螺栓 M6 × 12	Bolt M6 × 12	2	
10	GB/T96	垫圈 6	Washer 6	2	
11	M13Q020	空滤器总成	Air cleaner Assy	1	
12	GB/T845	螺钉 ST3.5 × 16	Screw ST3.5 × 16	4	

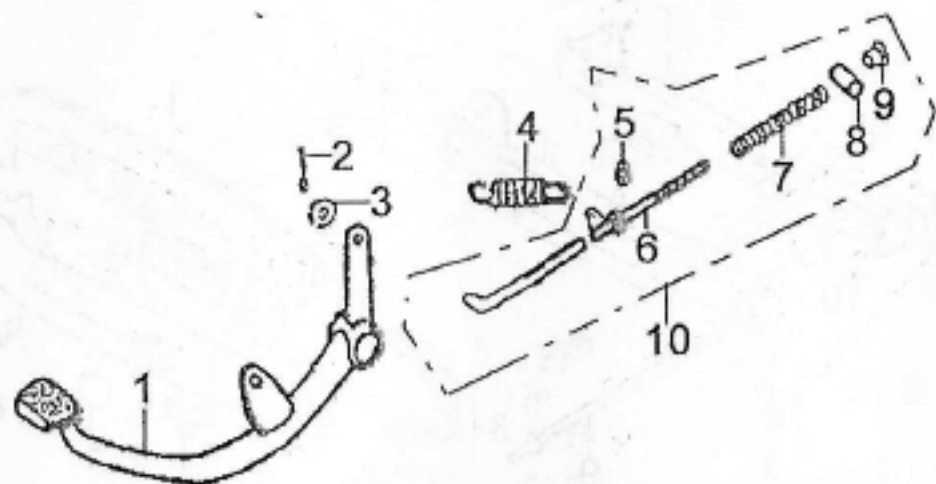


序号 S/N	零件代号 Part No.	零件名称	Description	数量 Quantity	备注 Remark
1	M13Q050	消声器护罩	Muffler guard	1	
2	M13Q010-02	消声器护板	Guard, muffler	1	
3	GB/T16674	螺栓M8×12	Bolt M8 × 12	1	
4	M13Q010-01	消声器	Muffler	1	
5	GB/T93	垫圈5	Washer 5	2	
6	GB/T818	螺钉M5×16	screw M5 × 16	2	
7	M13Q010-03	排气管护罩缓冲胶垫	Rubber pad	2	
8	M13Q010-04	消声器护板特殊螺钉M6×12×Φ16(十字大盘)	Screw M6 × 12 × Φ 16	2	
9	GB/T93	垫圈8	Washer 8	3	
10	M13Q010-01	消声器总成	Muffler Assy	3	
11	M13Q011	消声器密封垫	Muffler gasket	1	
12	GB/T6170	螺母M6	Nut M6	2	

F-21 主支架 CENTER STAND

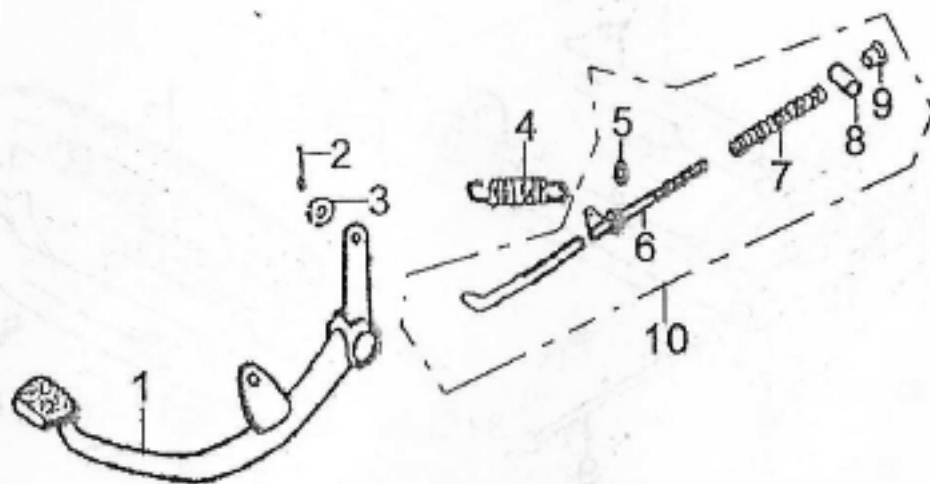


序号 S/N	零部件代号 Part No.	零部件名称	Description	数量 Quantity	备注 Remark
1	M13A100	主支架	Center stand	1	
2	M13A100-01	主支架轴	Shaft, center stand	1	
3	M13P030	月形挂钩	Hook	1	
4	M13A100-02	主支架限位胶垫	Rubber, center stand	1	
5	M13A110	侧支架	Side stand	1	
6	M13A110-01	侧支架螺栓	Bolt, side stand	1	
7	GB/T6170	螺母M10×1.25	Nut M10×1.25	1	
8	GB/T91	开口销2.5×26	split pin 2.5×26	1	
9	M13K020	主支架簧	spring, center stand	1	
10	M13K030	侧支架簧	Spring, side stand	1	
11	M13A100-03	主支架轴专用垫圈	Special washer	1	



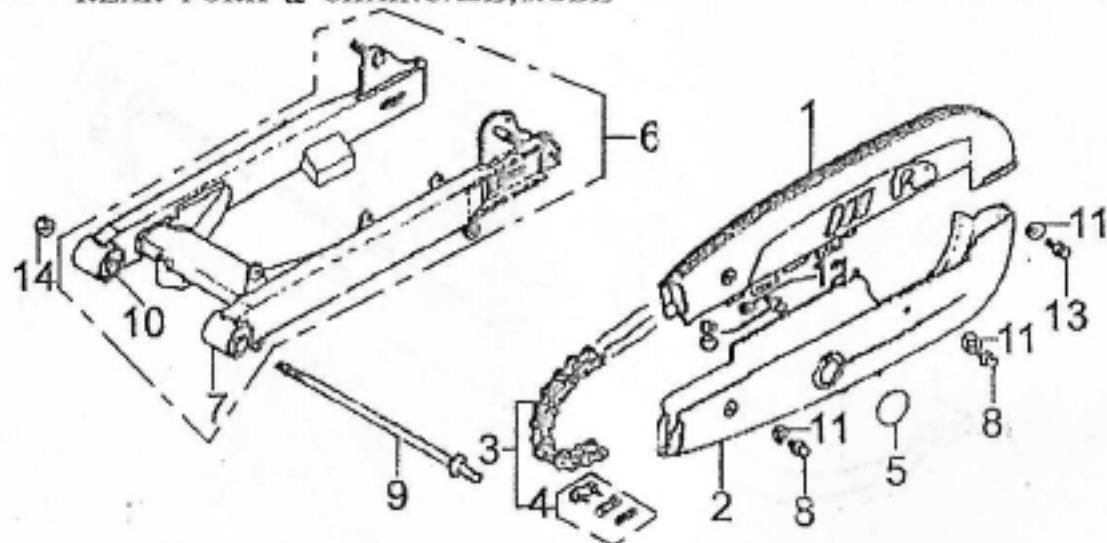
序号 S/N	零部件代号 Part No.	零部件名称	Description	数量 Quantity	备注 Remark
1	M13D180	后制动踏板	Rear brake pedal Assy	1	
2	GB/T91	开口销2×20	Split pin 2×20	1	
3	GB/T96	垫圈6	Washer 6	1	
4	M13D180-01	后制动踏板回位簧	Return spring, rear brake pedal	1	
5	GB/T97.1	垫圈6	Washer 6	1	
6	M13D251	后刹拉杆	Link, Rear brake	1	
7	M13D252	后刹拉杆弹簧	Spring, rear brake link	1	
8	M13D253	后刹拉杆连接柱	Retainer, rear brake link	1	
9	M13D254	后刹拉杆调整螺母	Adjusting nut, rear brake link	1	
10	M13D250	后刹拉杆组合	Rear brake link unit	1	

F-22 后制动踏板 REAR BRAKE PEDAL ASSY



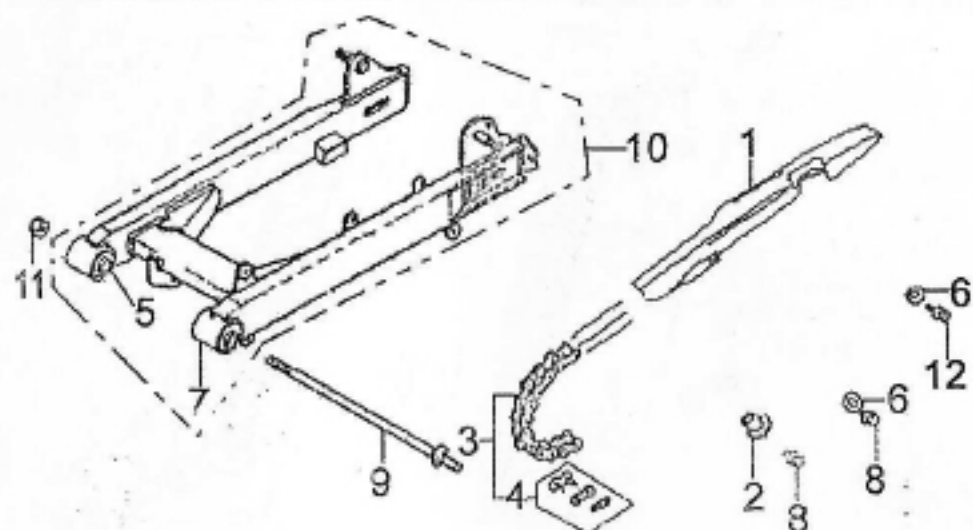
序号 S/N	零部件代号 Part No.	零部件名称	Description	数量 Quantity	备注 Remark
1	M13D180	后制动踏板	Rear brake pedal Assy	1	
2	GB/T91	开口销2×20	Split pin 2×20	1	
3	GB/T96	垫圈6	Washer 6	1	
4	M13D180-01	后制动踏板回位簧	Return spring, rear brake pedal	1	
5	GB/T97.1	垫圈6	Washer 6	1	
6	M13D251	后刹拉杆	Link, Rear brake	1	
7	M13D252	后刹拉杆弹簧	Spring, rear brake link	1	
8	M13D253	后刹拉杆连接柱	Retainer, rear brake link	1	
9	M13D254	后刹拉杆调整螺母	Adjusting nut, rear brake link	1	
10	M13D250	后刹拉杆组合	Rear brake link unit	1	

F-23 平叉焊接组合 REAR FORK &amp; CHAINCASE, MODE



序号 S/N	零部件代号 Part No.	零部件名称	Description	数量 Quantity	备注 Remark
1	M13C181	上链盒	Top chaincase	1	
2	M13C182	下链盒	Bottom chaincase	1	
3	M13C180-01	链条	Chain DID428	1	
4	M13C180-02	链条卡子	Clip, chain	1	
5	M13G038	视孔盖	View hole cover	1	
6	M13A090	平叉总成	Rear fork assy	1	
7	M13A090-01	平叉焊接组合	Rear fork weldment	1	
8	GB/T5783	螺栓M6×8	Bolt M6×8	3	
9	M13H030	平叉轴	Shaf., rear fork	1	
10	M13A090-02	平叉减震套	Damping sleeve	1	
11	GB/T97.1	垫圈6	Washer 6	1	
12	GB/T16674	螺栓M6×10	Bolt M6×10	1	
13	GB/T6172.1	螺母M10×1.25	Bolt M10×1.25	1	

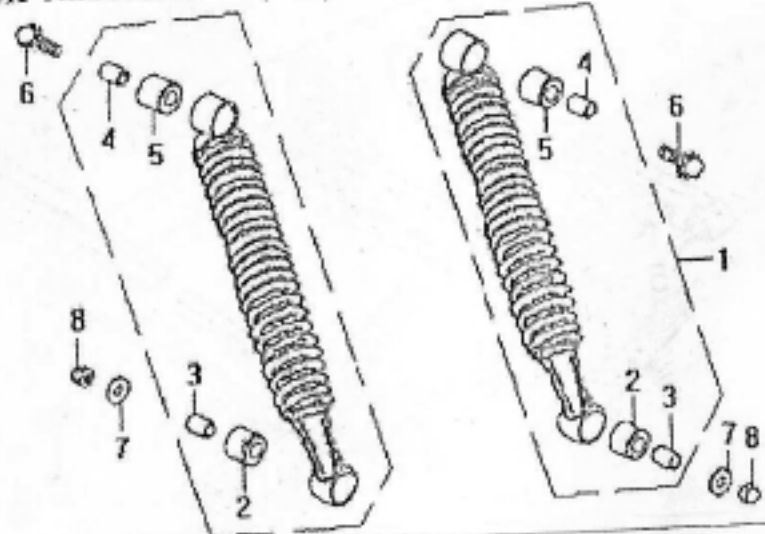
F-24 平叉焊接组合 链盒 REAR FORK & CHAINCASE, MODE



序号 S/N	零部件代号 Part No.	零部件名称	Description	数量 Quantity	备注 Remark
1	M13C181	上链盒	Top chaincase	1	
2	GB/T5783	螺栓M6×16	Bolt M6×16	1	
3	M13C180-01	链条	Chain DID428-100L	1	
4	M13C180-02	链条卡子	Clip, chain	1	
5	M13A090-02	平叉减震套	Damping sleeve	1	
6	GB/T97.1	垫圈6	Washer 6	2	
7	M13A090-01	平叉焊接组合	Rear fork weldment	1	
8	GB/T5783	螺栓M6×16	Bolt M6×8	2	
9	M13H030	平叉轴	Shaft, rear fork	1	
10	M13A090	平叉总成	Rear fork Assy	1	
11	GB/T6172.1	螺母M10×1.25	Nut M10×1.25	1	
12	GB/T5783	螺栓M6×12	Bolt M6×12	1	

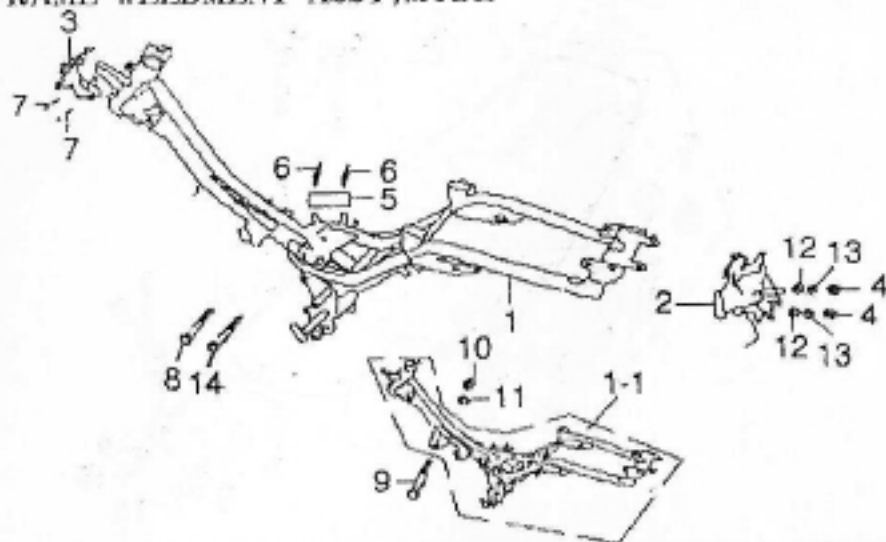


F-25 后减震器 REAR SHOCK ABSORBER



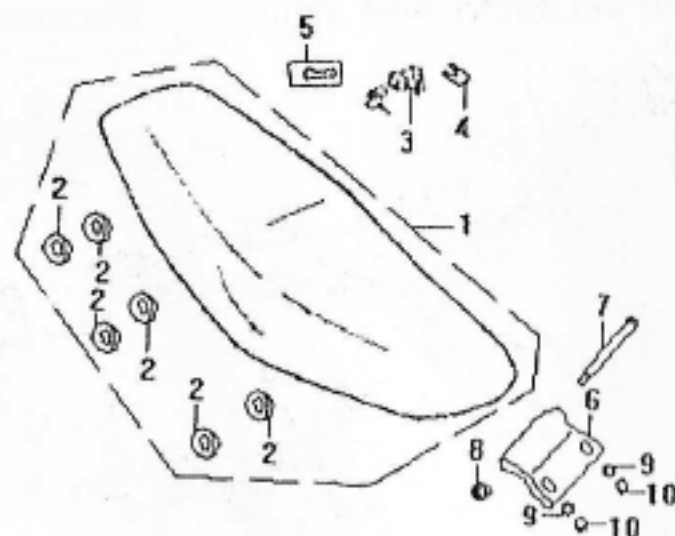
序号 S/N	零部件代号 Part No.	零部件名称	Description	数量 Quantity	备注 Remark
1	M13B030	后左减震器	Rear LH, shock absorber	2	
2	M13B030-01	下减震套	Lower damping sleeve	2	
3	M13B030-02	下轴套	Lower bush	2	
4	M13B030-03	上轴套	Top bush	2	
5	M13B030-04	上减震套	Bush, upper rubber	2	
6	GB/T16674	螺栓M10×1.25×38	Bolt M10×1.25×38	2	
7	GB/T96	垫圈10	Washer 10	2	
8	GB/T923	盖形螺母M10×1.25	Cap nut M10×1.25	2	

F-26 车架总成 BODY FRAME WELDMENT ASSY, MODE



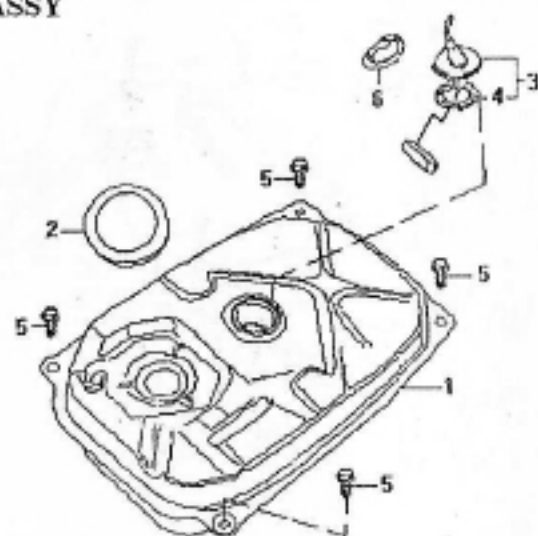
序号 S/N	零部件代号 Part No.	零部件名称	Description	数量 Quantity	备注 Remark
1	M13A000-01	车架总成(配装二悬挂发动机)	Body frame assy	1	
1-1	M13A000-02	车架总成(配装三悬挂发动机)	Body frame assy	1	
2	M13P048	座垫锁座	Seat lock base	1	
3	M13A002	前面罩支架	Front cover bracket unit	1	
4	GB/T16674	螺母M6	Nut M6	2	
5	M13L00L000	车架铭牌	Nameplate, body frame	1	
6	GB/T827	铆钉 $\Phi 3.2 \times 7$	Rivet $\Phi 3.2 \times 7$	2	
7	GB/16674	螺栓M8 $\times 35$	Bolt M8 $\times 35$	2	
8	GB/T16674	螺栓M8 $\times 115$	Bolt M8 $\times 115$	1	
9	GB/T16674	螺栓M8 $\times 95$	Bolt M8 $\times 95$	1	
10	GB/T6187.1	螺母M8	Nut M8	1	
11	GB/T96	垫圈8-24	Washer 8-24	1	
12	GB/T93	垫圈6	Washer 6	2	
13	GB/T97.1	垫圈6	Washer 6	2	
14	GB/T16674	螺栓M8 $\times 105$	Bolt M8 $\times 105$	1	

F-27 座垫 SEAT



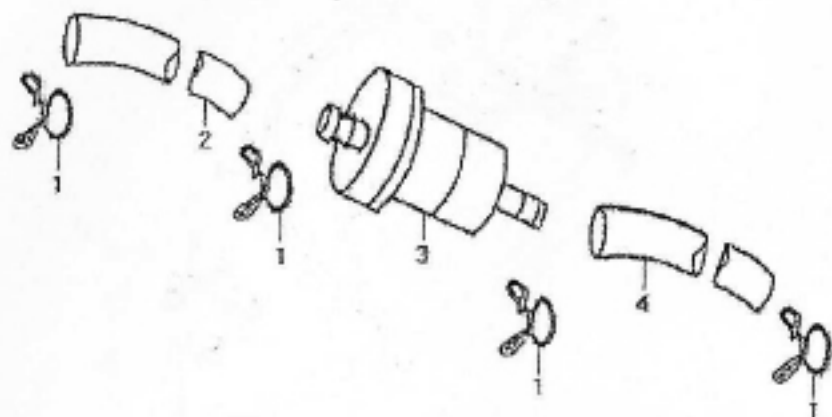
序号 S/N	零件代号 Part No.	零件名称	Description	数量 Quantity	备注 Remark
1	M13C005	座垫	Seat assy	1	
2	M13C005-01	座垫前减震胶垫	Front cushion,seat	6	
3	M13K003	座垫锁	Lcok,seat	1set	
4	M13C005-02	座垫锁卡簧	Circlip,seat lock	1	
5	M13C005-03	座垫锁支架	Stay,seat lock	1	
6	M13C005-04	座垫前连接板	Front connecting plate,seat	1	
7	M13C005-05	后座垫特殊螺钉	P.n,front connecting plate,seat	1	
8	GB/T6170	螺母M6	Nut M6	1	
9	GB/T96	垫圈6	Washer 6	2	
10	GB/T6170	螺母M6	Nut M6	2	

F-29 油箱总成 FUEL TANK ASSY



序号 S/N	零部件代号 Part No.	零部件名称	Description	数量 Quantity	备注 Remark
1	M13C000	油箱	Fuel tank	1	
2	M13C000-01	油箱盖	Cap, fuel filler	1	
3	M13E340	燃油传感器总成	Fuel sensor comp	1	
4	M13E342	油位传感器密封圈	Gasket, fuel sensor	1	
5	GB/T16674	螺栓M6×12	Bolt M6×12	4	
6	M13E340-01	燃油传感器锁紧片	Lock piece, fuel sensor	1	

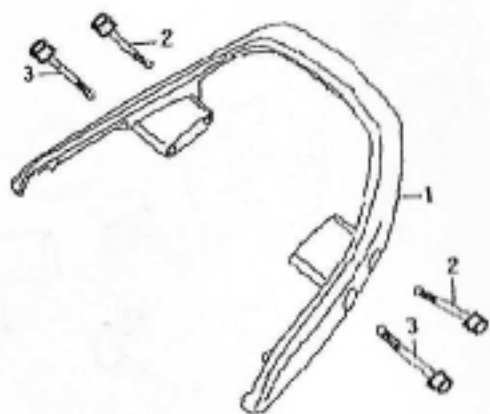
F-30 燃油开关 FUEL COCK



序号 S/N	零部件代号 Part No.	零部件名称	Description	数量 Quantity	备注 Remark
1	M13C025-01	油管卡B7	Clip, fuel hose	4	
2	M13C025-02	油管(Φ4.5×Φ8×660) I	Fuel hose(Φ4.5×Φ8×660) I	1	
3	M13C025	燃油滤清器	Fuel filter	1	
4	M13C025-03	油管(Φ4.5×Φ8×70) II	Fuel hose(Φ4.5×Φ8×70) II	1	

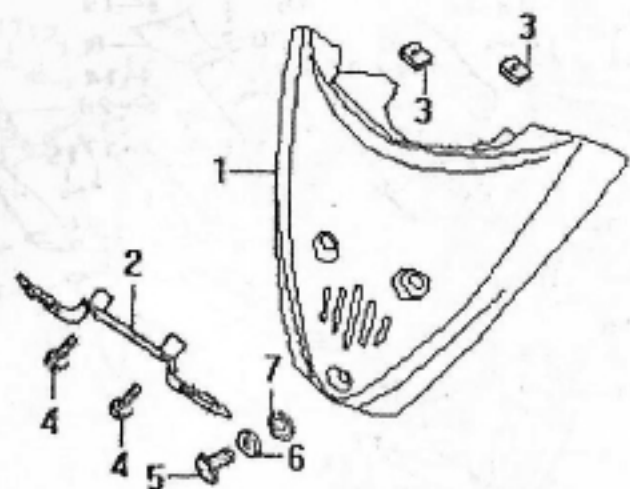
F-31 后扶手

REAR HANDRALL



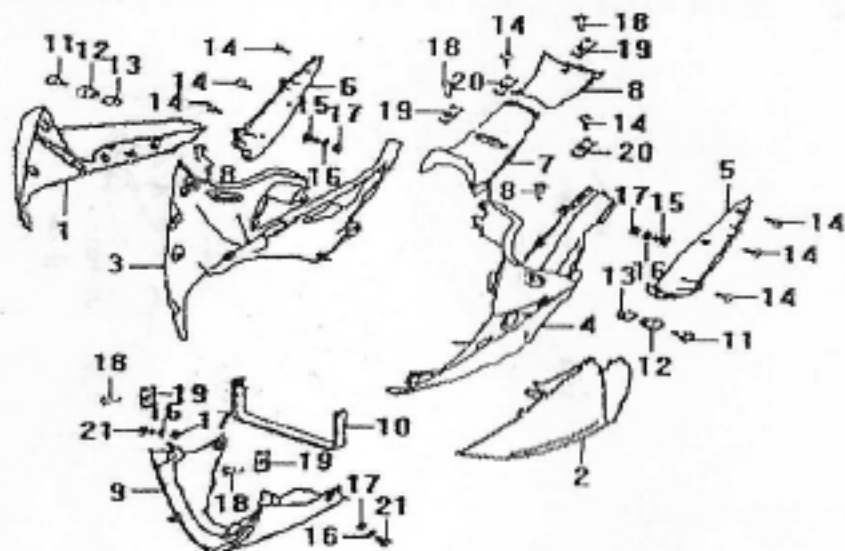
序号 S/N	零部件代号 Part No.	零部件名称	Description	数量 Quantity	备注 Remark
1	M13A040	后扶手总成	Rear handrail comp	1	
2	GB/T70.1	螺钉M8×65	Screw M8×65	2	
3	GB/T70.1	螺钉M8×75	Screw M8×75	2	

F-32 前面罩 FRONT COVER



序号 S/N	零部件代号 Part No.	零部件名称	Description	数量 Quantity	备注 Remark
1	M13C165	前面板	Front cover	1	
2	M13A002	前面板支架	Front cover bracket	1	
3	QC/T330	簧片螺母ST6	Reed nut	2	
4	GB/T5783	螺栓M6×30	Bolt M6×30	2	
5	M13C165-01	前面板安装特殊螺钉M6×16	Special screw M6×16	1	
6	GB/T96	垫圈6	Washer 6	1	
7	M13C165-02	前面板胶圈	Front cover gasket	1	

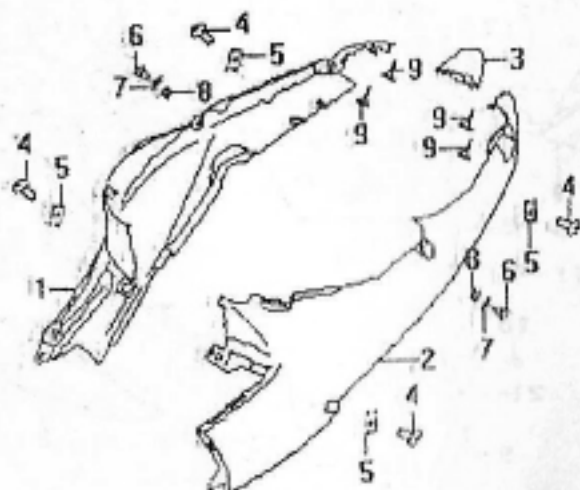
F-33 挡风板 WINDSHIELD



序号 S/N	零部件代号 Part No.	零部件名称	Description	数量 Quantity	备注 Remark
16	GB/T96	垫圈6	Washer 6	4	
17	M13C125-06	挡风板下胶圈	Lower rubber ring, windshield	4	
18	GB9074.1	螺钉M6×25	Screw M5×16	6	
19	QC/T330	簧片螺母ST5	Nut M5(17×11)	4	
20	QC/T330	簧片螺母ST4.8	Reed nut ST4.8	2	
21	M13C165-01	前面罩安装特殊螺钉M6×16	Special screw	2	

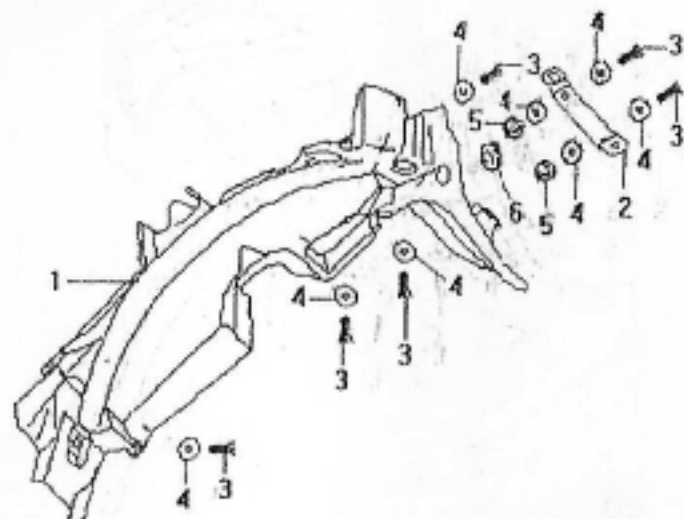


F-34 后围板、后中连接板 REAR COVER & REAR-CENTER CONNECTIONG PLATE



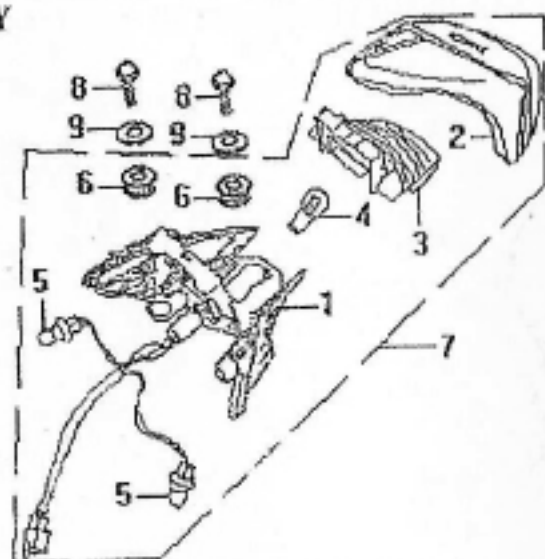
序号 S/N	零部件代号 Part No.	零部件名称	Description	数量 Quantity	备注 Remark
1	M13C610-01	右后围板	Rear cover, RH	1	
2	M13C610-02	左后围板	Rear cover, LH	1	
3	M13C085	后尾盖	Rear tail cover	1	
4	GB9074.1	螺钉M5×16	Screw M5×16	4	
5	QC/T330	簧片螺母ST5	Reed nut ST	4	
6	M13C165-01	前面罩安装特殊螺钉M6×16(借用)	Special screw M6×16	2	
7	GB/T96	垫圈6	Washer 6	2	
8	M13G149	侧盖胶圈	Rubber ring, side cover	2	
9	GB/T845	螺钉ST4×10	Screw ST4×10	4	

F-35 后挡泥板 REAR FENDER



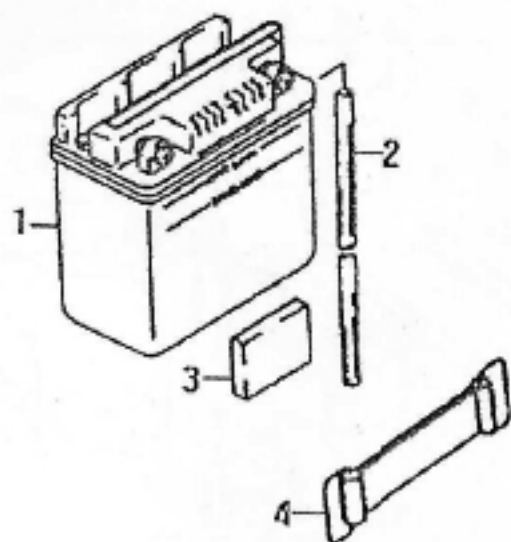
序号 S/N	零部件代号 Part No.	零部件名称	Description	数量 Quantity	备注 Remark
1	M13C015	后挡泥板总成	Rear fender comp	1	
2	M13P075	后牌照支架	Bracket, rear license plate	1	
3	GB/T5783	螺栓M6×16	Bolt M6×16	6	
4	GB/T96	垫圈6	Washer 6	8	
5	GB/T6170	螺母M6	Nut M6	2	
6	M13E210-01	尾灯连接胶圈	Rubber ring, taillight socket	1	

F-36 尾灯总成 TAILLIGHT ASSY



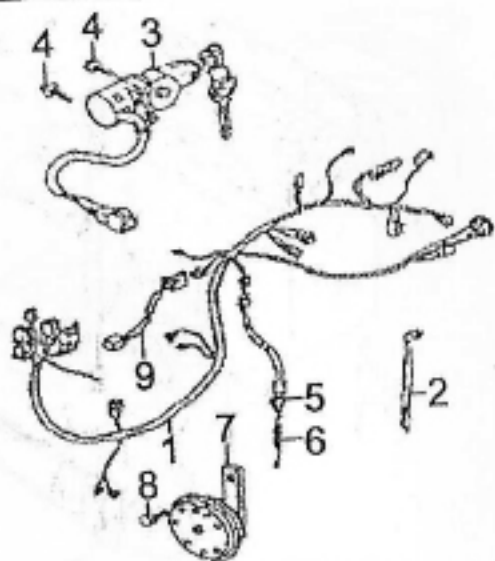
序号 S/N	零部件代号 Part No.	零部件名称	Description	数量 Quantity	备注 Remark
1	M13E210-02	尾灯灯座组件	Taillight socket	1	
2	M13E214	灯壳	Housing, taillight	1	
3	M13E210-03	尾灯罩	Lens, taillight	1	
4	GB15766.1	尾灯灯泡12V-21W/5W	Bu.b, Taillight(12V-21W/5W)	1	
5	GB/T15766.3	转向灯灯泡12V-10W	Bu.b, winker(12V-10W)	2	
6	M13E210-01	尾灯连接胶圈	Rubber ring, taillight socket	2	
7	M13E210	尾灯总成	Taillight Assy	1	
8	GB/T5783	螺栓M6×16	Bolt M6×16	2	
9	GB/T96	垫圈	Washer 6	2	

F-37 蓄电池 BATTERY



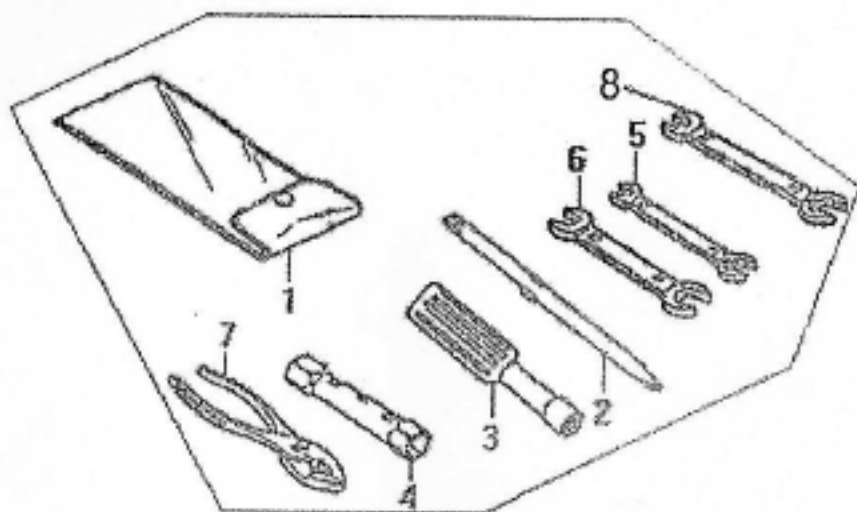
序号 S/N	零部件代号 Part No.	零部件名称	Description	数量 Quantity	备注 Remark
1	M13L00ED	电瓶	Battery 12V-7Ah	1	
2	M13E132	溢流管	Overflow pipe( $\Phi 5.5 \times \Phi 7 \times 600$ )	1	
3	M13L00ED-01	电瓶减震垫	Damping pad, battery	3	
4	M13L00ED-02	电瓶护带	Band, battery	1	

F-38 主电缆 MAIN CABLE



序号 S/N	零部件代号 Part No.	零部件名称	Description	数量 Quantity	备注 Remark
1	N12E000	主电缆	Wiring harness	1	
2	M13G035	主电缆扎带	Plastics clamp(I), wiring harness	1	
3	M13K001	点火开关锁	Ignition switch	1	
4	GB/T819.1	螺钉M6×12	Bolt M6×12	2	
5	M13E003	后刹开关	Rear brake switch	1	
6	M13F080	后刹开关拉簧	Extension spring, rear brake	1	
7	M13E330	喇叭总成	Horn comp	1	
8	GB/T16674	螺栓M6×12	Bolt M6×12	1	
9	M13E040	闪光总成器	Flasher comp	1	

P-39 随车工具 TOOL KIT



序号 S/N	零部件代号 Part No.	零部件名称	Description	数量 Quantity	备注 Remark
1	M13N006	工具袋	Bag, tools	1	
2	M13N002	双用螺丝刀	Double-end driver stem	1	
3	M13N002-01	螺丝刀把	Screw driver handle	1	
4	M13N001	火花塞套筒	Spark plug wrench	1	
5	M13N003	开口扳手8×10	Open-ended spanner 8×10	1	
6	M13N004	开口扳手12×14	Open-ended spanner 12×14	1	
7	M13N005	鲤鱼钳	Slip-joint pliers	1	
8	M13N008	开口扳手13×15	Open-ended spanner 13×15	1	